

MPX-643

User's Manual

Edition 1.1
2010/01/19



Copyright

Copyright 2009 all rights reserved. This document is copyrighted and all rights are reserved. The information in this document is subject to change without prior notice to make improvements to the products.

This document contains proprietary information and protected by copyright. No part of this document may be reproduced, copied, or translated in any form or any means without prior written permission of the manufacturer.

All trademarks and/or registered trademarks contains in this document are property of their respective owners.

Disclaimer

The company shall not be liable for any incidental or consequential damages resulting from the performance or use of this product.

The company does not issue a warranty of any kind, express or implied, including without limitation implied warranties of merchantability or fitness for a particular purpose.

The company has the right to revise the manual or include changes in the specifications of the product described within it at any time without notice and without obligation to notify any person of such revision or changes.

Trademark

All trademarks are the property of their respective holders.

Any questions please visit our website at <http://www.commell.com.tw>.

Packing List:

Hardware:

MPX-643 PCI Express mini card IEEE1394 Card x1

IO Module (ADP-1394) :



Cable kit:



DF14 10PIN for 1394A
(OALH10-L20)



DF14 20PIN for 1394B
(OALH20-L20)



4PIN HSG to 6PIN for power
(OAL4P-6)

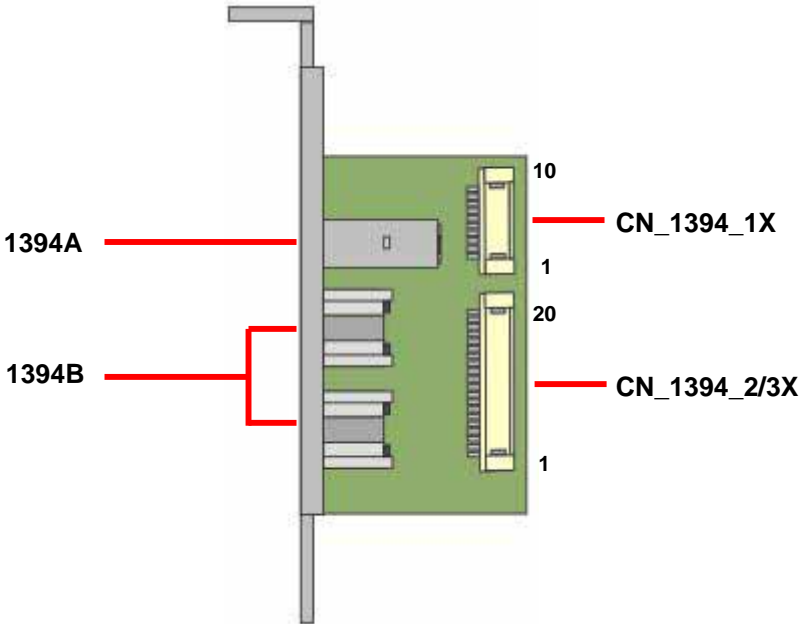
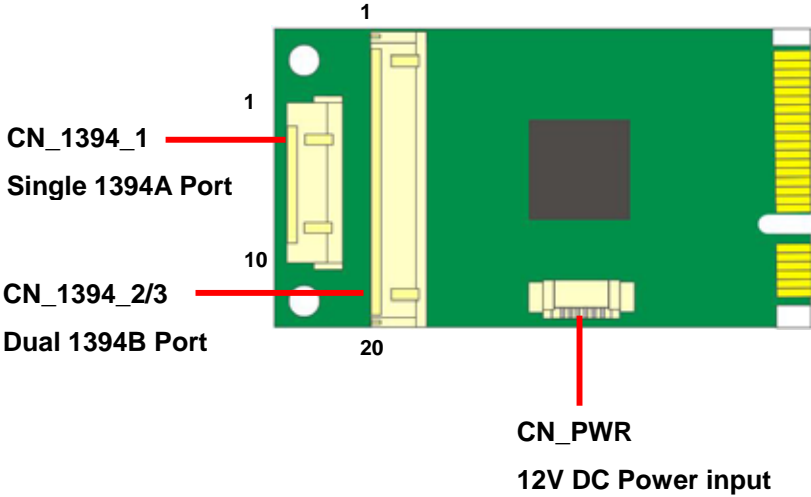
CD Content:

User's Manual

1.0 <Product Specification>

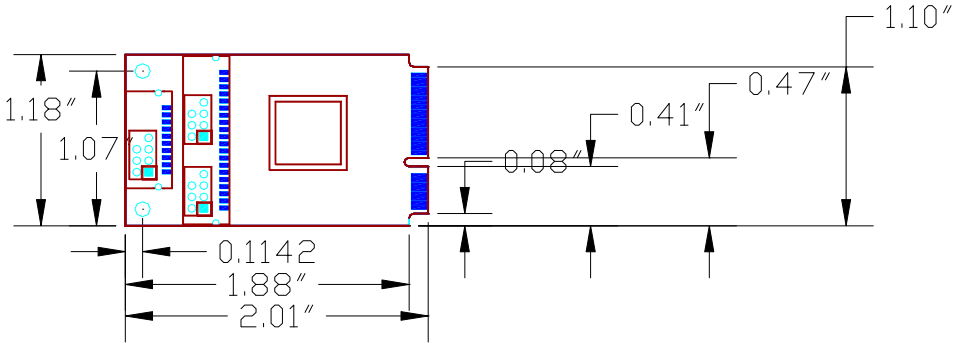
General Specification	
Form Factor	PCI Express mini card
Controller	LSI FW643E2
Features	1 x IEEE1394A provides up to 400Mbps of transferring rate 2 x IEEE1394B provides up to 800Mbps of transferring rate
Power Requirement	+3.3V, (+12V / 1A for 1394 device)
Accessories	1 x IEEE1394 IO Module 1 x DF14 10-pin Cable (for 1394A) 1 x DF14 20-pin Cable (for 1394B) 1 x DC input Cable (for power)
Dimensions (W x D)	30.00mm x 50.95mm

1.1 <Component Placement>



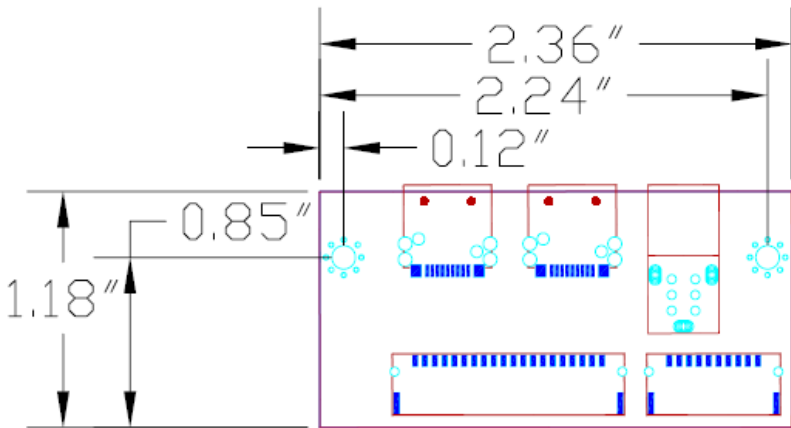
1.2 <Mechanical Drawing>

MPX-643



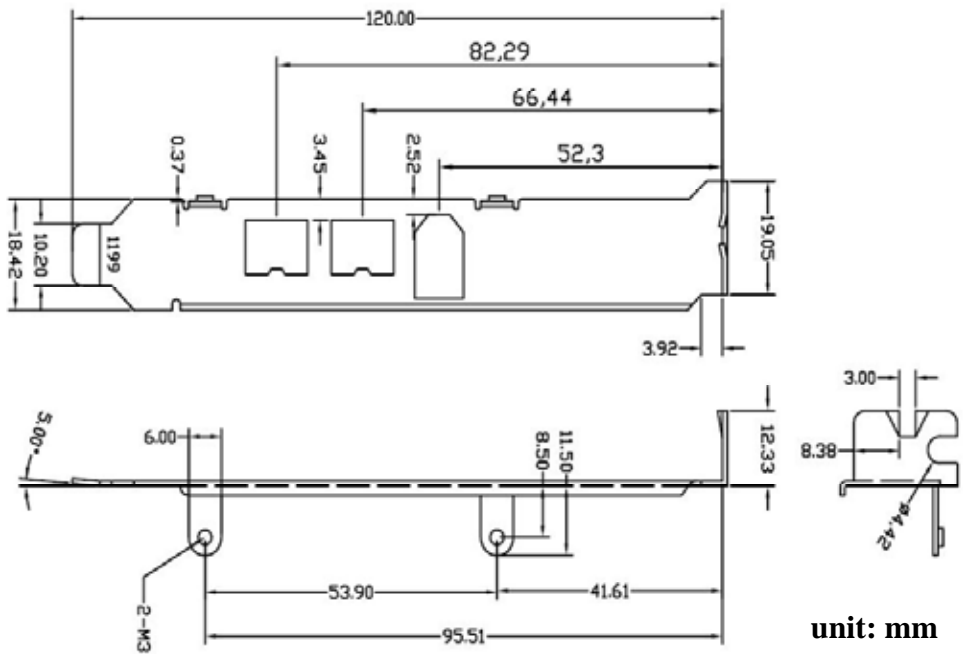
unit: inch

IO Module



unit: inch

Bracket

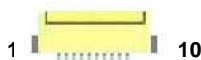


unit: mm

1.3 <Connector Reference>

Connector: CN_1934_1

Type: DF14 10-pin pitch=1.25mm



Pin	Description	Pin	Description
1	-TPB0	2	+TPB0
3	-TPA0	4	+TPA0
5	N/C	6	N/C
7	N/C	8	+12V
9	GND	10	GND

Connector: CN_1394_2/3

Type: DF14 20-pin pitch=1.25mm



Pin	Description	Pin	Description
1	-TPB1	2	+TPB1
3	-TPA1	4	+TPA1
5	N/C	6	N/C
7	N/C	8	+12V
9	GND	10	GND
11	-TPB2	12	+TPB2
13	-TPA2	14	+TPA2
15	N/C	16	N/C
17	N/C	18	+12V
19	GND	20	GND

Connector: CN_PWR

Type: 1252 6-pin pitch=1.25mm



Pin	Description	Pin	Description
1	+12V	2	+12V
3	GND	4	GND
5	N/C	6	N/C

Connector: CN_1934_1X

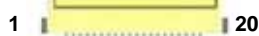
Type: DF14 10-pin pitch=1.25mm



Pin	Description	Pin	Description
1	-TPB0X	2	+TPB0X
3	-TPA0X	4	+TPA0X
5	N/C	6	N/C
7	N/C	8	+12V
9	GND	10	GND

Connector: CN_1394_2/3X

Type: DF14 20-pin pitch=1.25mm



Pin	Description	Pin	Description
1	-TPB1X	2	+TPB1X
3	-TPA1X	4	+TPA1X
5	N/C	6	N/C
7	N/C	8	+12V
9	GND	10	GND
11	-TPB2X	12	+TPB2X
13	-TPA2X	14	+TPA2X
15	N/C	16	N/C
17	N/C	18	+12V
19	GND	20	GND

1.4 < Cable install >

1394A

1.



2.



1394B

1.



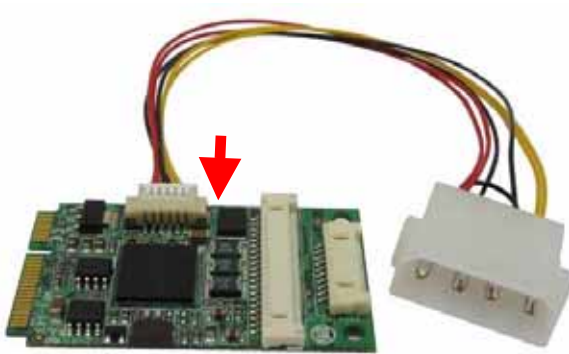
2.



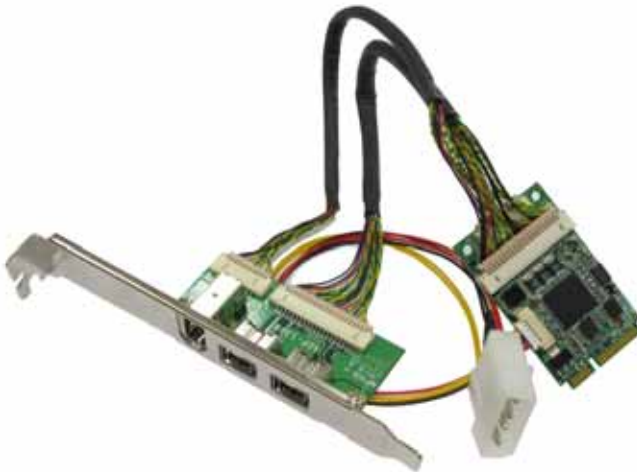
3.



POWER



FINISH



Contact Information

Any advice or comment about our products and service, or anything we can help you please don't hesitate to contact with us. We will do our best to support you for your products, projects and business.

Taiwan Commate Computer Inc.

Address	19F, No. 94, Sec. 1, Shin Tai Wu Rd., Shi Chih Taipei Hsien, Taiwan
TEL	+886-2-26963909
FAX	+886-2-26963911
Website	http://www.commell.com.tw
E-Mail	info@commell.com.tw (General Information) tech@commell.com.tw (Technical Support)

Commell is the trademark of Taiwan Commate Computer INC.